



Feature特征

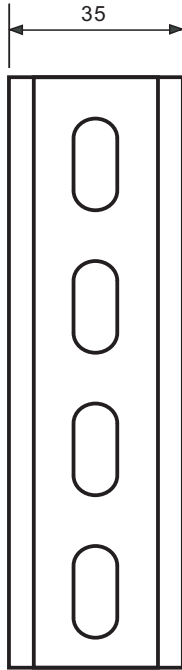
- Universal AC input/Full range
国际通用全范围交流输入
- Protections: Short circuit/Over load
短路保护, 过载保护
- Cooling by free air convection自然风冷
- High efficiency,long life and high reliability
高效率, 长寿命和高可靠性
- Using 105℃long life electrolytic capacitors
使用105度长寿命电容器
- 100% full load bure-in test 100%满载老化
- Installed with EMI filter, minimum wave
内装EMI滤波器, 极小纹波

CE RoHS

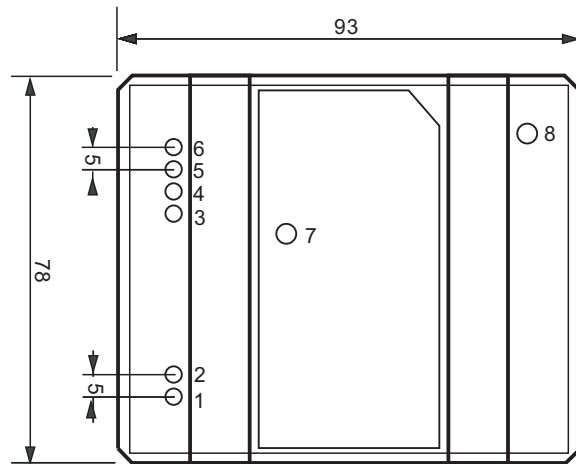
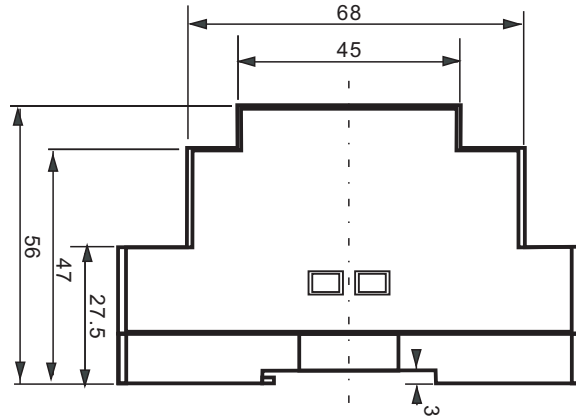
Model型号	DR45-5	DR45-12	DR45-15	DR45-24
Specification性能				
Dc voltage 直流电压	5V	12V	15V	24V
Rated current 额定电流	5A	3.5A	2.8A	2A
Current range 电流范围	0-5A	0-3.5A	0-2.8A	0-2A
Rated power 额定功率	25W	42W	42W	48W
Ripple & noise 纹波和噪音	75mVp-p	100mVp-p	100mVp-p	150mVp-p
Voltage ADJ. range 电压调整范围	+10%-5%	10%	10%	10%
Voltage tolerance 电压精度	±2.0%	±1.0%	±1.0%	±1.0%
Line regulation 线性调整率	±0.5%	±0.5%	±0.5%	±0.5%
Load regulation 负载调整率	±0.5%	±0.5%	±0.5%	±0.5%
Setup, rise, hold up time 启动, 上升, 保持时间	500ms, 50ms, 60ms/230VAC			
Input voltage range 输入电压范围	85-132VAC/170-264VAC, 47-63HZ, Selected by switch由开关选择			
Efficiency 效率	71%	78%	78%	79%
Input current 输入电流	1.3A/115V 0.7A/230V			
Inrush current 浪涌电流	Cold start冷启动 : 36A/230V			
Leakage current 漏电流	<1mA / 240VAC			
Overload protection 过载保护	105%-150%Rated output power; Type:Hiccup; Reset:auto recovery 105%-150%额定输出的功率; 模式: 打嗝模式; 复位: 自动恢复			
Working temp humidity 工作温度, 湿度	-25~+70°C, 20 ~ 90% RH			
Storage temp humidity 储存温度, 湿度	-40~+85°C, 10 ~ 95% RH			
Temp coefficient 温度系数	±0.03%/°C (0 ~ 50°C) (+5V)			
Vibration 耐振动	10 ~500Hz, 2G 10min/cycle周期, X、Y、Z Each axes轴各60min			
Withstand voltage 耐压性	I/P-O/P:1.5KVAC I/P-FG:1.5KVAC O/P-FG:0.5KVAC			
Isolation resistance 隔离电阻	I/P-O/P, I/P-FG, O/P-FG:100M Ohms / 500VDC / 25°C/ 70% RH			
Safety standards 安全标准	Meet UI1012 requirement (Not apply for the mark) 满足UL1012要求 (不申请标记)			
EMC standards EMC标准	Meet FCC part 15J condition class B 满足FCC部分15J条件, 等级B			
Overall dimension 外形尺寸	93x78x56mm			
Weight 重量	0.3Kg			
<p>Note:1.Ripple & noise are measured at 20MHZ of bandwidth by using 12" twisted pair-wire terminated with a 0.1uF & 47uF parallel capacitor; 纹波和噪声测量方法: 20HZ带宽下测量, A12双绞线, 终端并0.1uF&47uF的电容器;</p> <p>Note:2.Tolerance:includes set up tolerance, line regulation and load regulation; 精度: 包括设定误差, 线性调整率, 负载调整率;</p> <p>Note:3.Line regulation is measured from low line to hige line at rated load; 线性调整率测量方法: 在额定负载下, 从低电压到高电压测试;</p> <p>Note:4.Load regulation is measured from 0% to 100% rated load. 负载调整率测量方法: 负载从0%到100%</p>				

■ Mechanical Specification 结构尺寸

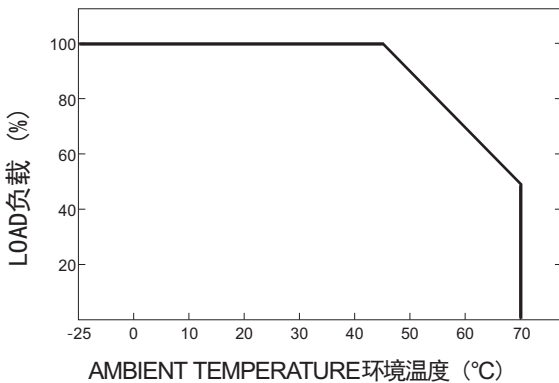
Unit单位: mm



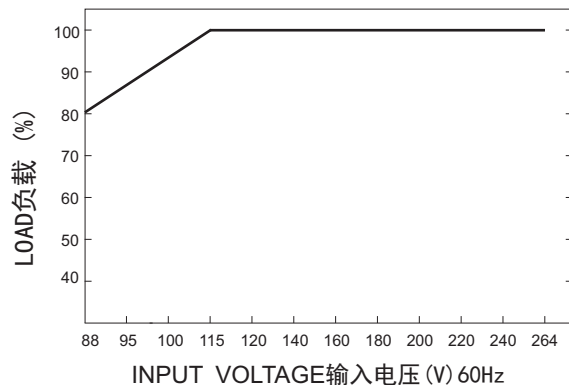
安装导轨: TS35/7.5或TS35/15



■ Derating Curve 降额曲线



■ Output Derating VS Input Voltage 静态特性曲线



浙江欧迪龙电子科技有限公司

Zhejiang Aotoro Electronic Technology CO.,LTD

ADD: Liuhuag Road 2188#, Liushi town, Yueqing city, Zhejiang province, PRC 325604
浙江省乐清市柳市镇柳黄路2188号

TEL: 86-577-61758688 FAX: 86-577-62757002

Http://www.aotoro.com E-mail: aotoro@aotoro.com