



CE RoHS

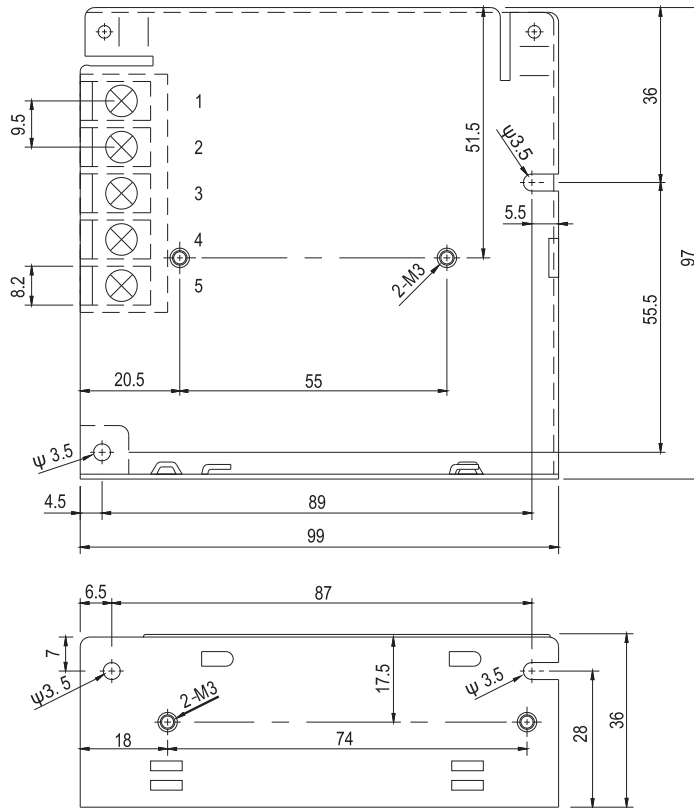
Feature特征

- Universal AC input/Full range
国际通用全范围交流输入
- Protections: Short circuit/Over load
短路保护, 过载保护
- Cooling by free air convection自然风冷
- High efficiency, long life and high reliability
高效率, 长寿命和高可靠性
- Using 105°C long life electrolytic capacitors
使用105度长寿命电容器
- 100% full load burn-in test 100%满载老化
- Installed with EMI filter, minimum wave
内装EMI滤波器, 极小纹波

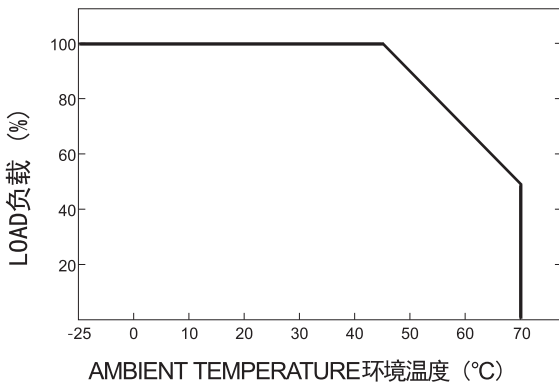
| Model型号 | S-15-5 | S-15-12 | S-15-24 |
|--|---|---------|---------|
| Specification性能 | | | |
| Dc voltage 直流电压 | 5V | 12V | 24V |
| Rated current 额定电流 | 3A | 1.3A | 0.7A |
| Current range 电流范围 | 0-3A | 0-1.3A | 0-0.7A |
| Rated power 额定功率 | 15W | 15.6W | 16.8W |
| Ripple & noise 纹波和噪音 | 50mVp-p | 50mVp-p | 50mVp-p |
| Voltage ADJ. range 电压调整范围 | +10%-5% | 10% | 10% |
| Voltage tolerance 电压精度 | ±2.0% | ±1.0% | ±1.0% |
| Line regulation 线性调整率 | ±0.5% | ±0.5% | ±0.5% |
| Load regulation 负载调整率 | ±0.5% | ±0.5% | ±0.5% |
| Setup, rise, hold up time 启动, 上升, 保持时间 | 500ms, 50ms, 60ms/230VAC | | |
| Input voltage range 输入电压范围 | 85-132VAC/170-264VAC, 47-63HZ, Selected by switch由开关选择 | | |
| Efficiency 效率 | 65% | 68% | 72% |
| Input current 输入电流 | 0.5A/115V 0.25A/230V | | |
| Inrush current 浪涌电流 | Cold start冷启动: 20A/230V | | |
| Leakage current 漏电流 | <0.5mA / 240VAC | | |
| Overload protection 过载保护 | 105%-150%Rated output power; Type: Hiccup; Reset: auto recovery 105%-150%额定输出的功率; 模式: 打嗝模式; 复位: 自动恢复 | | |
| Working temp humidity 工作温度, 湿度 | -25~+70°C, 20 ~ 90% RH | | |
| Storage temp humidity 储存温度, 湿度 | -40~+85°C, 10 ~ 95% RH | | |
| Temp coefficient 温度系数 | ±0.03%/°C (0 ~ 50°C) (+5V) | | |
| Vibration 耐振动 | 10 ~ 500Hz, 2G 10min/cycle周期, X、Y、Z Each axes轴各60min | | |
| Withstand voltage 耐压性 | I/P-O/P: 1.5KVAC I/P-FG: 1.5KVAC O/P-FG: 0.5KVAC | | |
| Isolation resistance 隔离电阻 | I/P-O/P, I/P-FG, O/P-FG: 100M Ohms / 500VDC / 25°C / 70% RH | | |
| Safety standards 安全标准 | Meet UL1012 requirement (Not apply for the mark) 满足UL1012要求 (不申请标记) | | |
| EMC standards EMC标准 | Meet FCC part 15J condition class B 满足FCC部分15J条件, 等级B | | |
| Overall dimension 外形尺寸 | 99x97x35mm | | |
| Weight 重量 | 0.3Kg | | |
| <p>Note:1. Ripple & noise are measured at 20MHZ of bandwidth by using 12" twisted pair-wire terminated with a 0.1uF & 47uF parallel capacitor; 纹波和噪声测量方法: 20HZ带宽下测量, A12双绞线, 终端并0.1uF&47uF的电容器;</p> <p>Note:2. Tolerance: includes set up tolerance, line regulation and load regulation; 精度: 包括设定误差, 线性调整率, 负载调整率;</p> <p>Note:3. Line regulation is measured from low line to high line at rated load; 线性调整率测量方法: 在额定负载下, 从低电压到高电压测试;</p> <p>Note:4. Load regulation is measured from 0% to 100% rated load. 负载调整率测量方法: 负载从0%到100%</p> | | | |

■ Mechanical Specification 结构尺寸

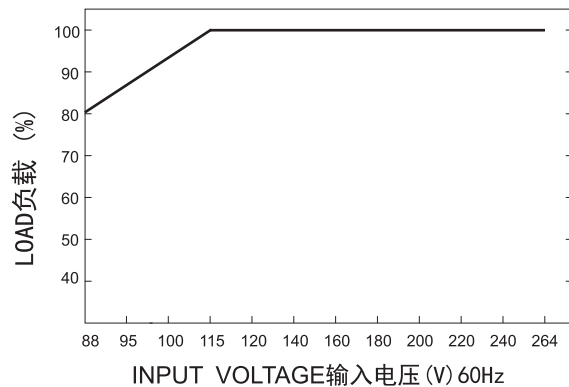
Unit单位: mm



■ Derating Curve 降额曲线



■ Output Derating VS Input Voltage 静态特性曲线



浙江欧迪龙电子科技有限公司
Zhejiang Aotoro Electronic Technology CO.,LTD

ADD: Liuhuang Road 2188#, Liushi town, Yueqing city, Zhejiang province, PRC 325604
浙江省乐清市柳市镇柳黄路2188号

TEL: 86-577-61758688 FAX: 86-577-62757002
Http://www.aotoro.com E-mail: aotoro@aotoro.com